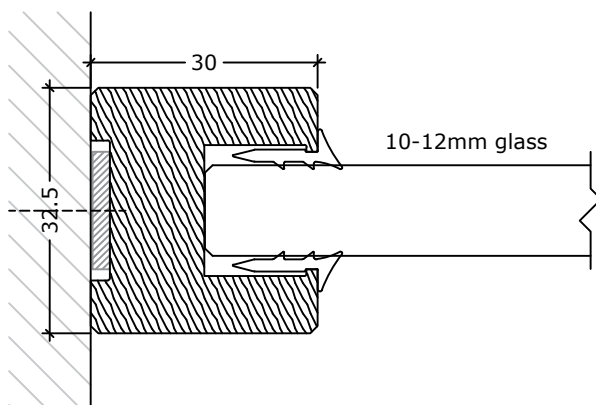


FOR PRESENTATION PURPOSE ONLY

DO NOT USE FOR INSTALLATION



**DEKO**

Tlf./Tel: +45 43 55 77 11

www.deko.dk / www.deko.com

**Projekt/Project:**

DEKO

**Sags Nr./Case No.:**

**Emne/Subject:**

DEKO FG Nature

V7A detail; wallstarter

Horizontal section

**Dato/Date:**

2018-10-16

**Revideret/Revision:**

2018-10-26-V01

**Tegn. Nr.**

**Sheet No.** 1/1

**Signatur**

**Signature** EB

**Mål/Scale:** 1:1