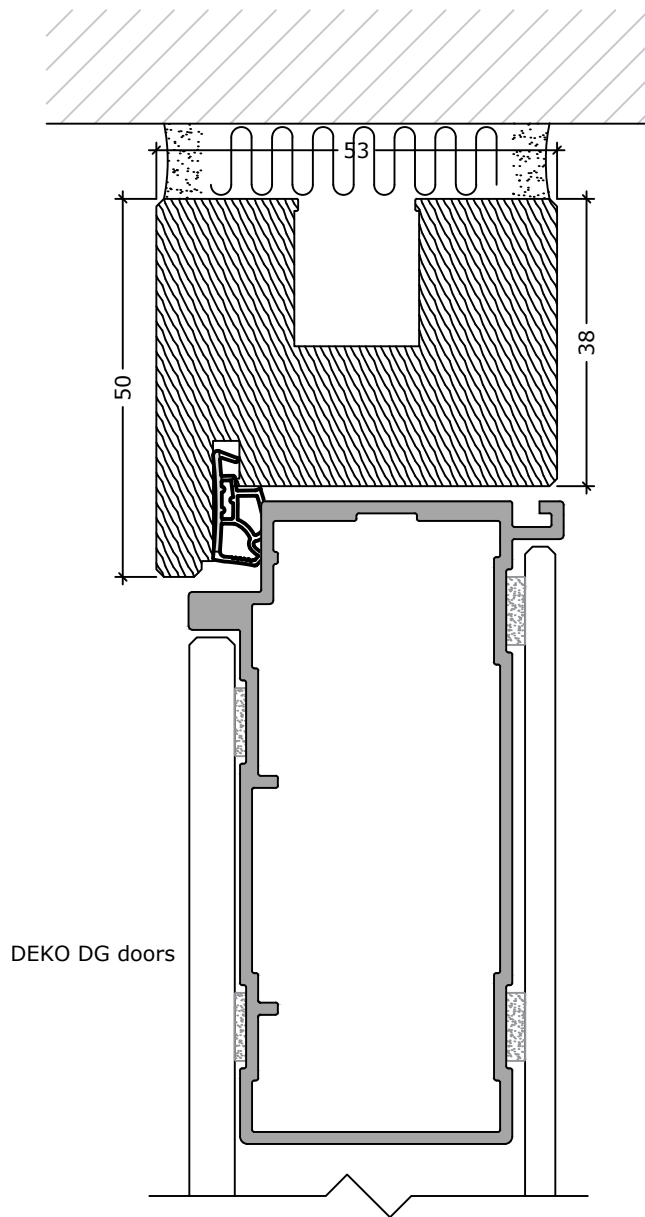


FOR PRESENTATION PURPOSE ONLY

DO NOT USE FOR INSTALLATION



DEKO DG doors



**DEKO**

**Tlf./Tel:** +45 43 55 77 11

[www.deko.dk](http://www.deko.dk) / [www.deko.com](http://www.deko.com)

**Projekt/Project:**

DEKO

**Sags Nr./Case No.:**

**Emne/Subject:**

DEKO FG Nature

L4C detail; DG door leaf

Vertical section

**Dato/Date:**

2020-03-06

**Revideret/Revision:**

2020-04-23-V01

**Tegn. Nr.**

**Sheet No.** 1/1

**Signatur**

**Signature** SIB

**Mål/Scale:** 1:1