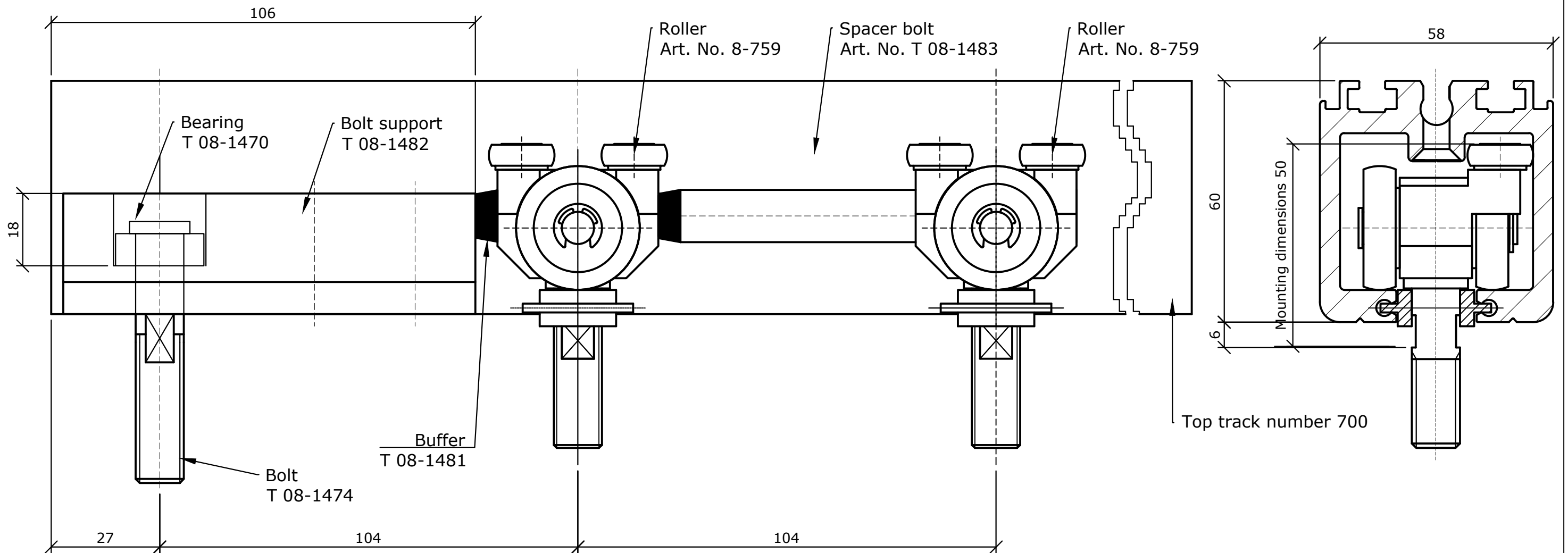



View from the outside
 (applies to type 4 LE and Type 4 LA + Type 5 and Type LE 5 LA)



	DEKO Tlf./Tel: +45 43 55 77 11 www.deko.dk / www.deko.com	Projekt/Project: DEKO		
	Sags Nr./Case No.: 2017-05-30	Emne/Subject: DEKO PV Type 4 and 5 LE + LA	Dato/Date: 2017-05-30	Tegn. Nr. Sheet No. 1/1
	Mål/Scale: 1:1		Revideret/Revision: 2017-06-06-V01	Signatur Signature