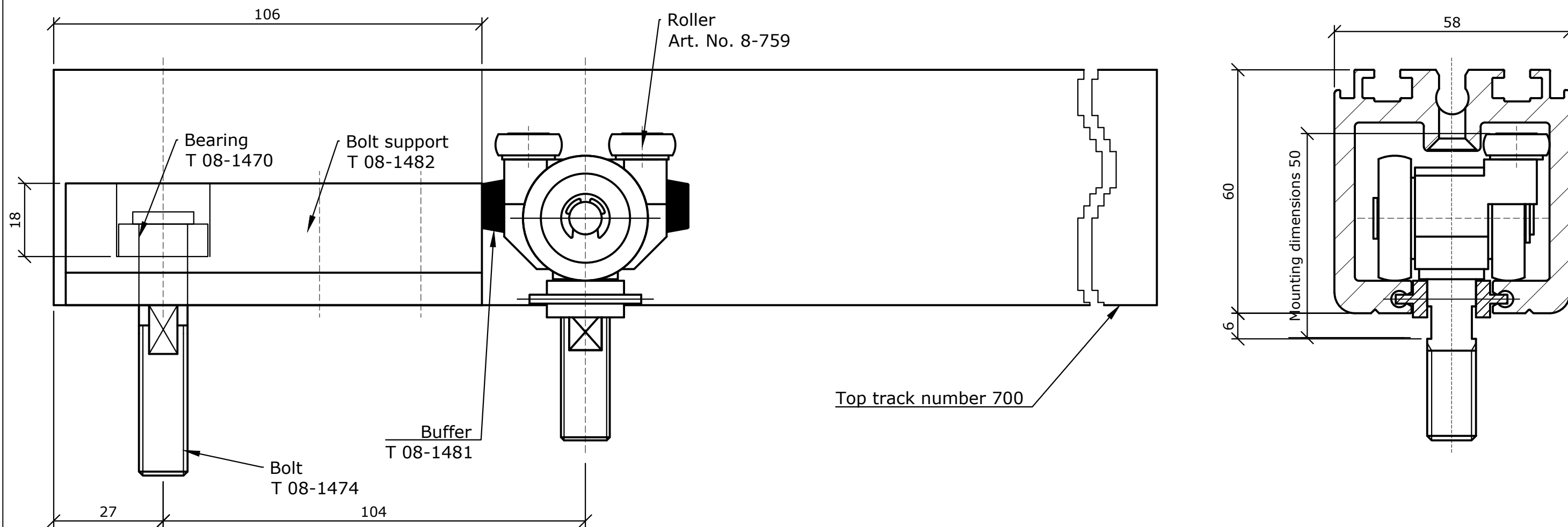



View from the outside  
 (applies to Type 2 and Type 2 LE LA + Type 3 and Type 3 LE LA)



	<b>DEKO</b> Tlf./Tel: +45 43 55 77 11 www.deko.dk / www.deko.com	<b>Projekt/Project:</b> DEKO	
	<b>Sags Nr./Case No.:</b> 2017-05-30	<b>Emne/Subject:</b> DEKO PV Type 2 and 3 LE + LA	<b>Dato/Date:</b> 2017-05-30
<b>Mål/Scale:</b> 1:1		<b>Revideret/Revision:</b> 2017-06-06-V01	<b>Signatur Signature</b>